

Bridas SAE

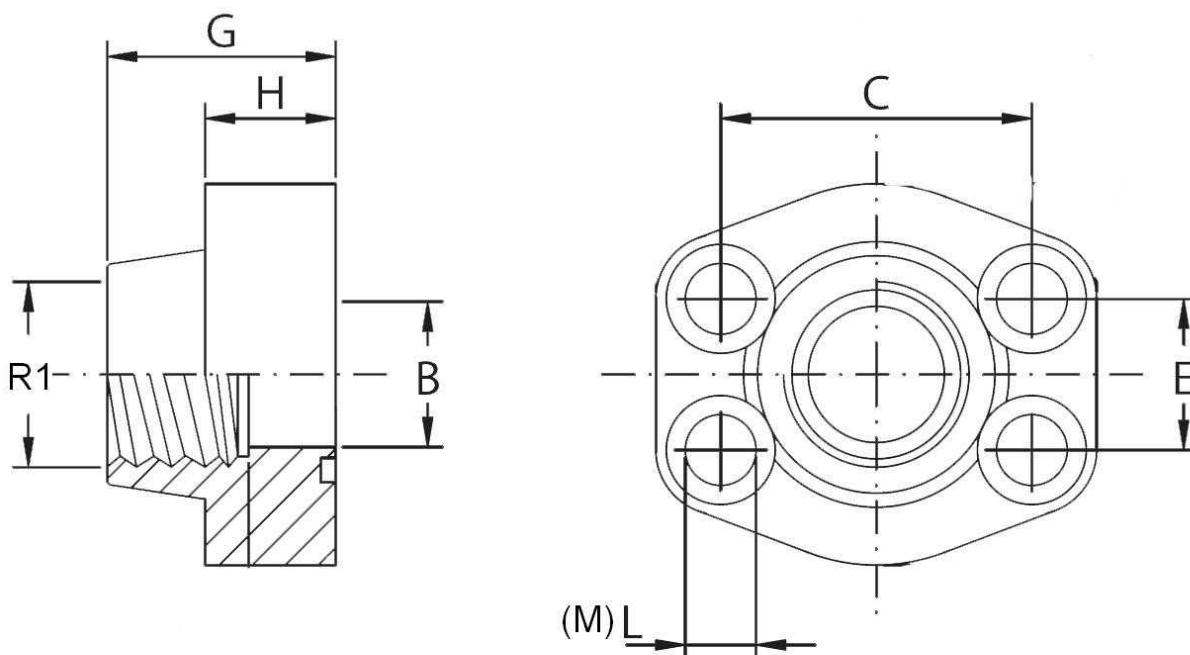
Bridas roscadas

## Brida roscada Hembra BSP



Acero Inoxidable AISI 316-L

1/1



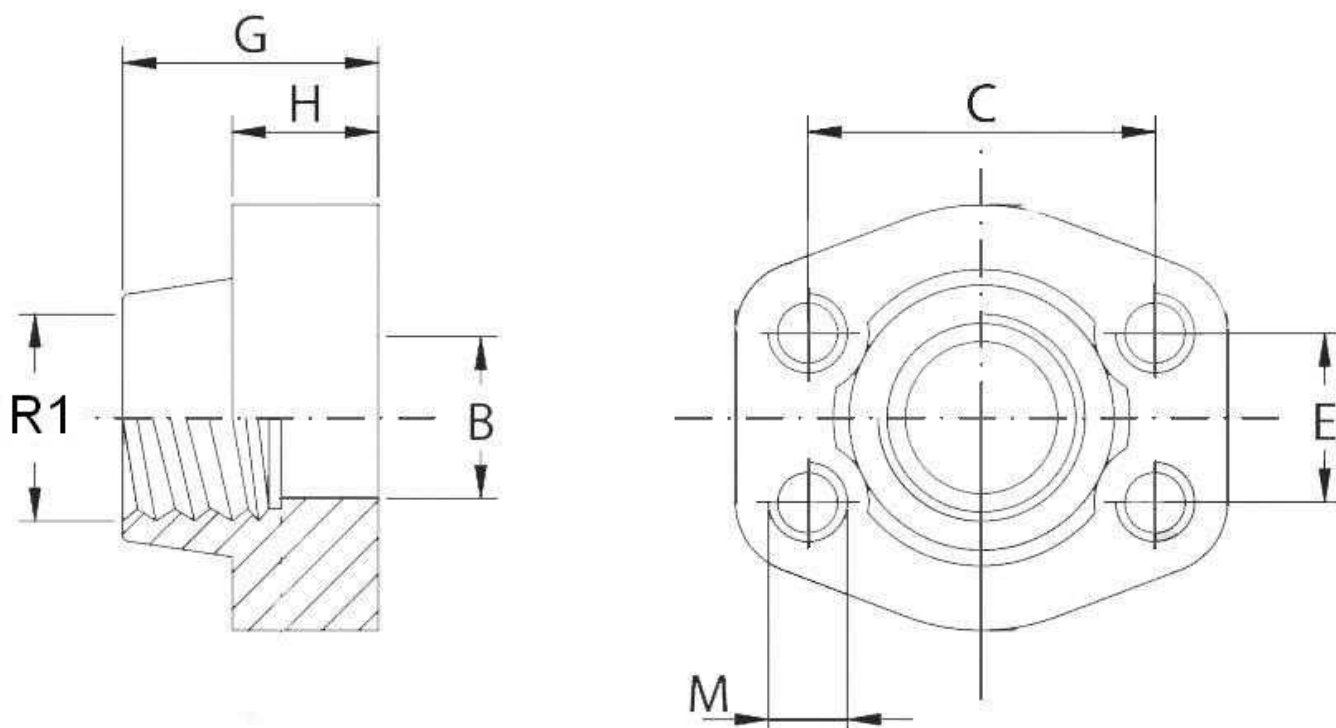
Artículo	Serie	R1	Tamaño	O'Ring	B	C	E	G	H	L	M
<b>ZBBRG30808</b>	3000 PSI	1/2" BSP	1/2"	4075	13	38,1	17,48	36	16	9	M8x30
<b>ZBBRG31212</b>	3000 PSI	3/4" BSP	3/4"	4100	19	47,63	22,23	36	18	11	M10x35
<b>ZBBRG31616</b>	3000 PSI	1" BSP	1"	4131	25	52,37	16,19	38	18	11	M10x35
<b>ZBBRG32020</b>	3000 PSI	1"1/4 BSP	1"1/4	4150	32	58,72	30,18	40	21	11,5	M10x40
<b>ZBBRG32424</b>	3000 PSI	1"1/2 BSP	1"1/2	4187	38	69,85	35,71	45	25	13,5	M12x45
<b>ZBBRG33232</b>	3000 PSI	2" BSP	2"	4225	51	77,77	42,88	45	25	13,5	M12x45
<b>ZBBRG34040</b>	3000 PSI	2"1/2 BSP	2"1/2	4275	63	88,9	50,8	50	25	13,5	M12x45
<b>ZBBRG34848</b>	3000 PSI	3" BSP	3"	4337	73	106,38	61,93	50	27	17,5	M16x50
<b>ZBBRG35656</b>	3000 PSI	3"1/2 BSP	3"1/2	4387	89	120,65	69,85	48	27	17,5	M16x50
<b>ZBBRG36464</b>	3000 PSI	4" BSP	4"	4437	99	130,18	77,77	48	27	17,5	M16x50
<b>ZBBRG60808</b>	6000 PSI	1/2" BSP	1/2"	4075	13	40,49	18,24	36	16	9	M8x30
<b>ZBBRG61212</b>	6000 PSI	3/4" BSP	3/4"	4100	19	50,8	23,8	35	21	11	M10x40
<b>ZBBRG61616</b>	6000 PSI	1" BSP	1"	4131	25	57,15	27,76	42	25	13	M12x45
<b>ZBBRG62020</b>	6000 PSI	1"1/4 BSP	1"1/4	4150	32	66,68	31,75	45	27	15	M14x45
<b>ZBBRG62424</b>	6000 PSI	1"1/2 BSP	1"1/2	4187	38	79,38	36,5	50	30	17	M16x50
<b>ZBBRG63232</b>	6000 PSI	2" BSP	2"	4225	51	96,82	44,45	65	37	21	M20x70

Bridas SAE

Bridas roscadas

**Contrabrida roscada Hembra BSP****FLUIDAL**

Acero Inoxidable AISI 316-L

**1/1**

Artículo	Serie	R1	Tamaño	B	C	E	G	H	M
<b>ZBCRG30808</b>	3000 PSI	1/2" BSP	1/2"	13	38,1	17,48	36	16	M8
<b>ZBCRG31212</b>	3000 PSI	3/4" BSP	3/4"	19	47,63	22,23	36	18	M10
<b>ZBCRG31616</b>	3000 PSI	1" BSP	1"	25	52,37	26,19	38	18	M10
<b>ZBCRG32020</b>	3000 PSI	1"1/4 BSP	1"1/4	32	58,72	30,18	40	21	M10
<b>ZBCRG32424</b>	3000 PSI	1"1/2 BSP	1"1/2	38	69,85	35,71	45	25	M12
<b>ZBCRG33232</b>	3000 PSI	2" BSP	2"	51	77,77	42,88	45	25	M12
<b>ZBCRG34040</b>	3000 PSI	2"1/2 BSP	2"1/2	63	88,9	50,8	50	25	M12
<b>ZBCRG34848</b>	3000 PSI	3" BSP	3"	73	106,38	61,93	50	27	M16
<b>ZBCRG35656</b>	3000 PSI	3"1/2 BSP	3"1/2	89	120,65	69,85	48	27	M16
<b>ZBCRG36464</b>	3000 PSI	4" BSP	4"	99	130,18	77,77	48	27	M16
<b>ZBCRG60808</b>	6000 PSI	1/2" BSP	1/2"	13	40,49	18,24	36	16	M8
<b>ZBCRG61212</b>	6000 PSI	3/4" BSP	3/4"	19	50,8	23,8	35	21	M10
<b>ZBCRG61616</b>	6000 PSI	1" BSP	1"	25	57,15	27,76	42	25	M12
<b>ZBCRG62020</b>	6000 PSI	1"1/4 BSP	1"1/4	32	66,68	31,75	45	27	M14
<b>ZBCRG62424</b>	6000 PSI	1"1/2 BSP	1"1/2	38	79,38	36,5	50	30	M16
<b>ZBCRG63232</b>	6000 PSI	2" BSP	2"	51	96,82	44,45	65	37	M20

Bridas SAE

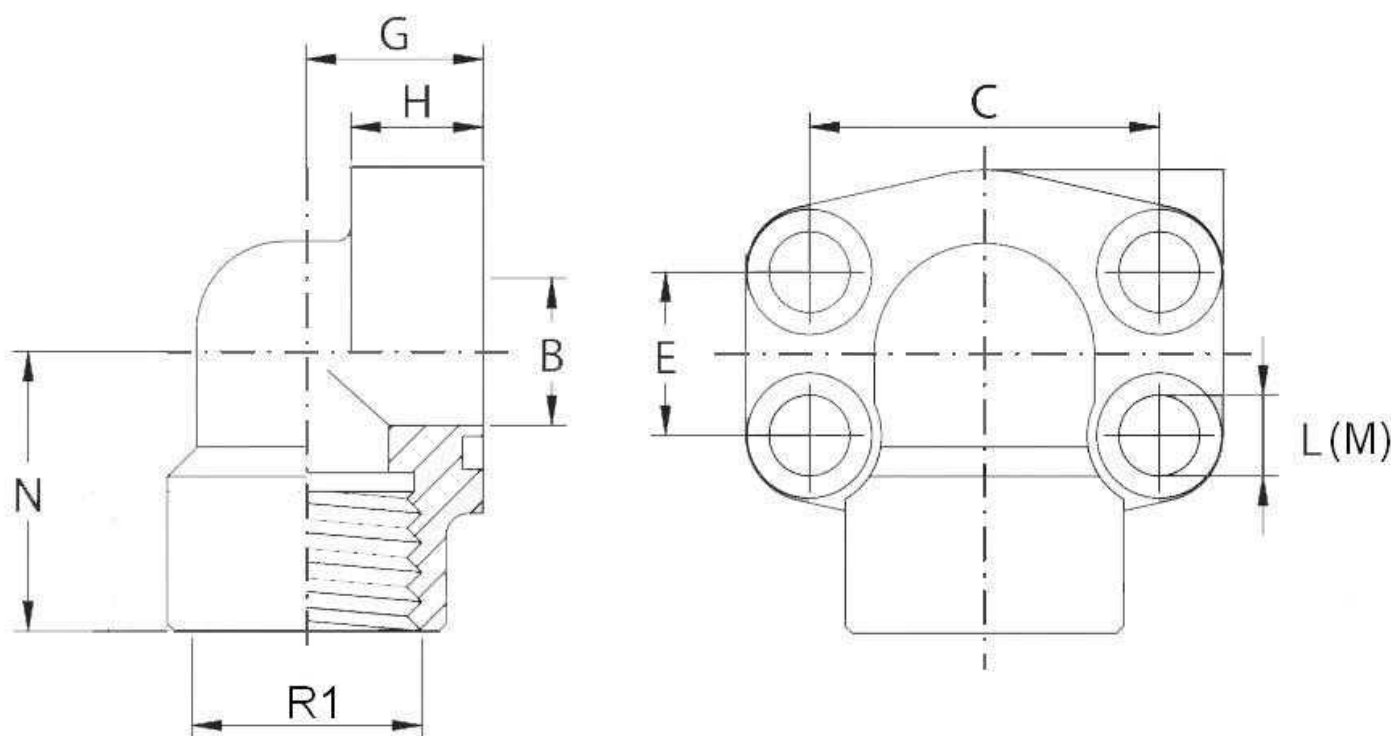
Bridas roscadas

## Brida codo 90º roscada Hembra BSP



Acero Inoxidable AISI 316-L

1/1



Artículo	Serie	R1	Tamaño	O'Ring	B	C	E	G	H	L	M	N
<b>ZB90RG30808</b>	3000 PSI	1/2" BSP	1/2"	4075	13	38,1	17,48	36	16	9	M8x30	37
<b>ZB90RG31212</b>	3000 PSI	3/4" BSP	3/4"	4100	19	47,63	22,23	36	18	11	M10x35	38
<b>ZB90RG31616</b>	3000 PSI	1" BSP	1"	4131	25	52,37	16,19	38	18	11	M10x35	43
<b>ZB90RG32020</b>	3000 PSI	1"1/4 BSP	1"1/4	4150	32	58,72	30,18	40	21	11,5	M10x40	51
<b>ZB90RG32424</b>	3000 PSI	1"1/2 BSP	1"1/2	4187	38	69,85	35,71	45	25	13,5	M12x45	56
<b>ZB90RG33232</b>	3000 PSI	2" BSP	2"	4225	51	77,77	42,88	45	25	13,5	M12x45	65
<b>ZB90RG60808</b>	6000 PSI	1/2" BSP	1/2"	4075	13	40,49	18,24	36	16	9	M8x30	37
<b>ZB90RG61212</b>	6000 PSI	3/4" BSP	3/4"	4100	19	50,8	23,8	35	21	11	M10x40	43
<b>ZB90RG61616</b>	6000 PSI	1" BSP	1"	4131	25	57,15	27,76	42	25	13	M12x45	51
<b>ZB90RG62020</b>	6000 PSI	1"1/4 BSP	1"1/4	4150	32	66,68	31,75	45	27	15	M14x45	56
<b>ZB90RG62424</b>	6000 PSI	1"1/2 BSP	1"1/2	4187	38	79,38	36,5	50	30	17	M16x50	65

Bridas SAE

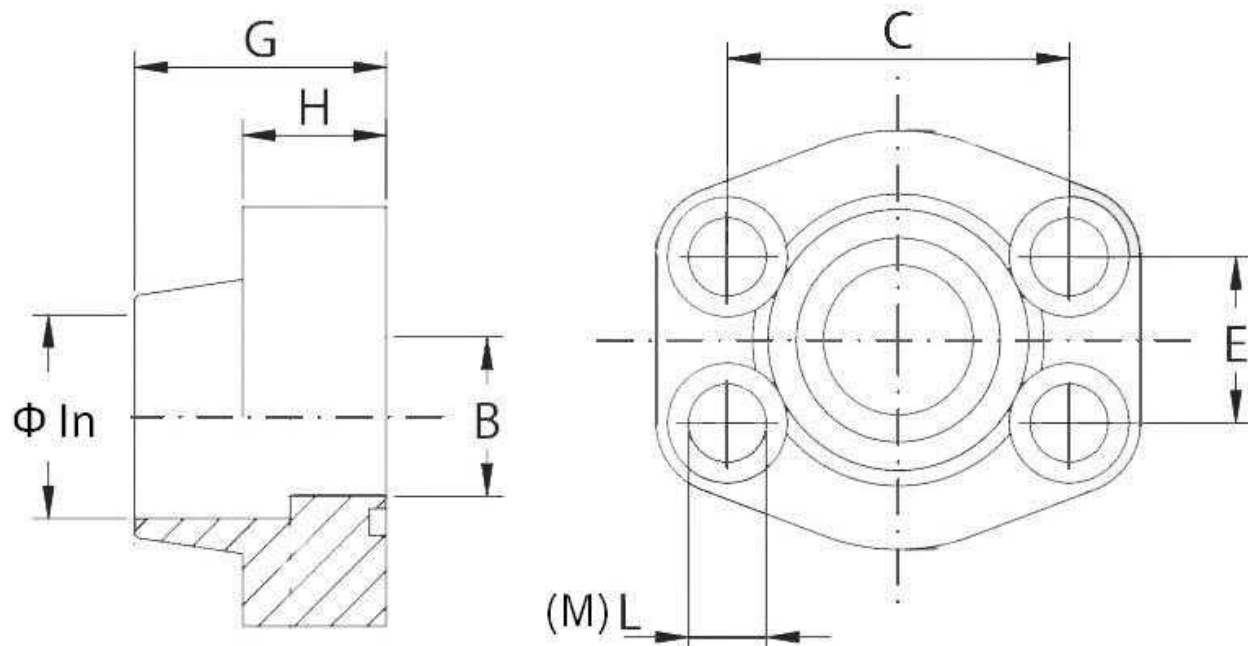
Bridas soldables tubo gas

## Brida soldable Hembra tubo gas



Acero Inoxidable AISI 316-L

1/1



Artículo	Serie	Ø in	Tamaño	O'Ring	B	C	E	G	H	L	M
ZBBSG308216	3000 PSI	21.6	1/2"	4075	13	38,1	17,48	36	16	9	M8x30
ZBBSG312272	3000 PSI	27.2	3/4"	4100	19	47,63	22,23	36	18	11	M10x35
ZBBSG316340	3000 PSI	34.0	1"	4131	25	52,37	26,19	38	18	11	M10x35
ZBBSG320428	3000 PSI	42.8	1"1/4	4150	32	58,72	30,18	41	21	11,5	M10x40
ZBBSG324486	3000 PSI	48.6	1"1/2	4187	38	69,85	35,71	45	25	13,5	M12x45
ZBBSG332610	3000 PSI	61.0	2"	4225	51	77,77	42,88	45	25	13,5	M12x45
ZBBSG340766	3000 PSI	76.6	2"1/2	4275	63	88,9	50,8	50	25	13,5	M12x45
ZBBSG348905	3000 PSI	90.5	3"	4337	73	106,38	61,93	50	27	17,5	M16x50
ZBBSG3561030	3000 PSI	103.0	3"1/2	4387	89	120,65	69,85	48	27	17,5	M16x50
ZBBSG3641155	3000 PSI	115.5	4"	4437	99	130,18	77,77	48	27	17,5	M16x50
ZBBSG608216	6000 PSI	21.6	1/2"	4075	13	40,49	18,24	36	16	9	M8x30
ZBBSG612272	6000 PSI	27.2	3/4"	4100	19	50,8	23,8	35	21	11	M10x40
ZBBSG616340	6000 PSI	34.0	1"	4131	25	57,15	27,76	42	25	13	M12x45
ZBBSG620428	6000 PSI	42.8	1"1/4	4150	32	66,68	31,75	45	27	15 *	M14x45
ZBBSG624486	6000 PSI	48.6	1"1/2	4187	38	79,38	36,5	50	30	17	M16x50
ZBBSG632610	6000 PSI	61.0	2"	4225	51	96,82	44,45	65	37	21	M20x70

Bridas SAE

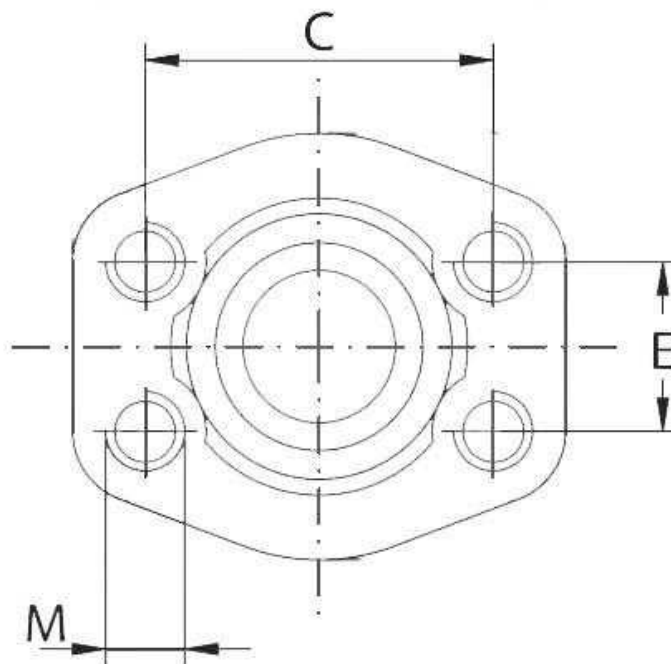
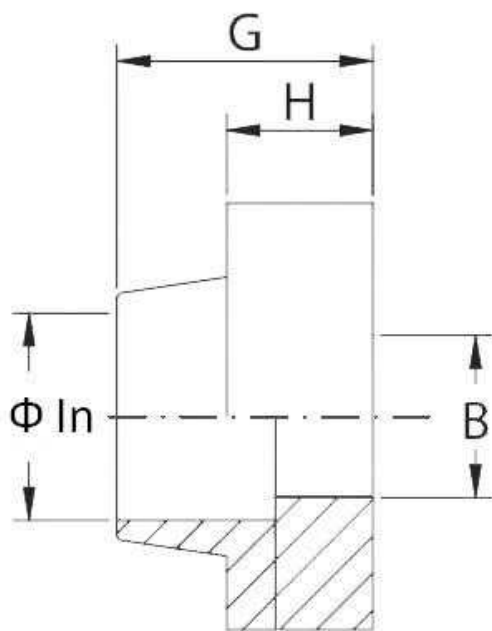
Bridas soldables tubo gas

## Contrabrida soldable Hembra tubo gas



Acero Inoxidable AISI 316-L

1/1



Artículo	Serie	Ø in	Tamaño	B	C	E	G	H	M
<b>ZBCSG308216</b>	3000 PSI	21.6	1/2"	13	38,1	17,48	36	16	M8
<b>ZBCSG312272</b>	3000 PSI	27.2	3/4"	19	47,63	22,23	36	18	M10
<b>ZBCSG316340</b>	3000 PSI	34.0	1"	25	52,37	26,19	38	18	M10
<b>ZBCSG320428</b>	3000 PSI	42.8	1"1/4	32	58,72	30,18	41	21	M10
<b>ZBCSG324486</b>	3000 PSI	48.6	1"1/2	38	69,85	35,71	45	25	M12
<b>ZBCSG332610</b>	3000 PSI	61.0	2"	51	77,77	42,88	45	25	M12
<b>ZBCSG340766</b>	3000 PSI	76.6	2"1/2	63	88,9	50,8	50	25	M12
<b>ZBCSG348905</b>	3000 PSI	90.5	3"	73	106,38	61,93	50	27	M16
<b>ZBCSG3561030</b>	3000 PSI	103.0	3"1/2	89	120,65	69,85	48	27	M16
<b>ZBCSG3641155</b>	3000 PSI	115.5	4"	99	130,18	77,77	48	27	M16
<b>ZBCSG608216</b>	6000 PSI	21.6	1/2"	13	40,49	18,24	36	16	M8
<b>ZBCSG612272</b>	6000 PSI	27.2	3/4"	19	50,8	23,8	35	21	M10
<b>ZBCSG616340</b>	6000 PSI	34.0	1"	25	57,15	27,76	42	25	M12
<b>ZBCSG620428</b>	6000 PSI	42.8	1"1/4	32	66,68	31,75	45	27	M14
<b>ZBCSG624486</b>	6000 PSI	48.6	1"1/2	38	79,38	36,5	50	30	M16
<b>ZBCSG632610</b>	6000 PSI	61.0	2"	51	96,82	44,45	65	37	M20

Bridas SAE

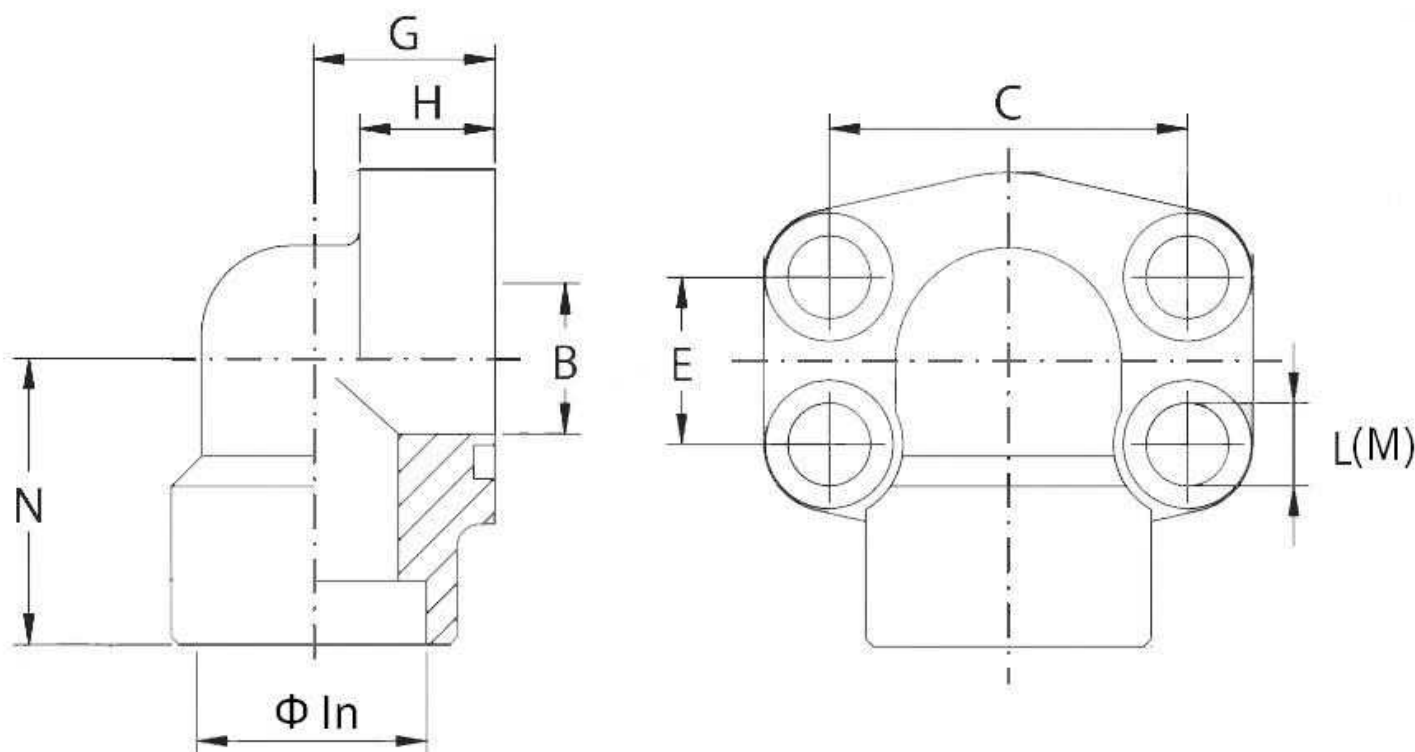
Bridas soldables tubo gas

## Brida codo 90º soldable Hembra tubo gas



Acero Inoxidable AISI 316-L

1/1



Artículo	Serie	Ø in	Tamaño	O'Ring	B	C	E	G	H	L	M	N
<b>ZB90SG308216</b>	3000 PSI	21.6	1/2"	4075	13	38,1	17,48	20	16	9	M8x30	37
<b>ZB90SG312272</b>	3000 PSI	27.2	3/4"	4100	19	47,63	22,23	24	18	11	M10x35	38
<b>ZB90SG316340</b>	3000 PSI	34.0	1"	4131	25	52,37	26,19	28	19	11	M10x35	43
<b>ZB90SG320428</b>	3000 PSI	42.8	1"1/4	4150	32	58,72	30,18	34	21	11,5	M10x40	51
<b>ZB90SG324486</b>	3000 PSI	48.6	1"1/2	4187	38	69,85	35,71	38	25	13,5	M12x45	56
<b>ZB90SG332610</b>	3000 PSI	61.0	2"	4225	51	77,77	42,88	42	25	13,5	M12x45	65
<b>ZB90SG608216</b>	6000 PSI	21.6	1/2"	4075	13	40,49	18,24	20	16	9	M8x30	37
<b>ZB90SG616340</b>	6000 PSI	34.0	1"	4131	25	57,15	27,76	34	21	13	M12x45	51
<b>ZB90SG620428</b>	6000 PSI	42.8	1"1/4	4150	32	66,68	31,75	38	25	15 *	M14x45	56
<b>ZB90SG624486</b>	6000 PSI	48.6	1"1/2	4187	38	79,38	36,5	42	25	17	M16x50	65

Bridas SAE

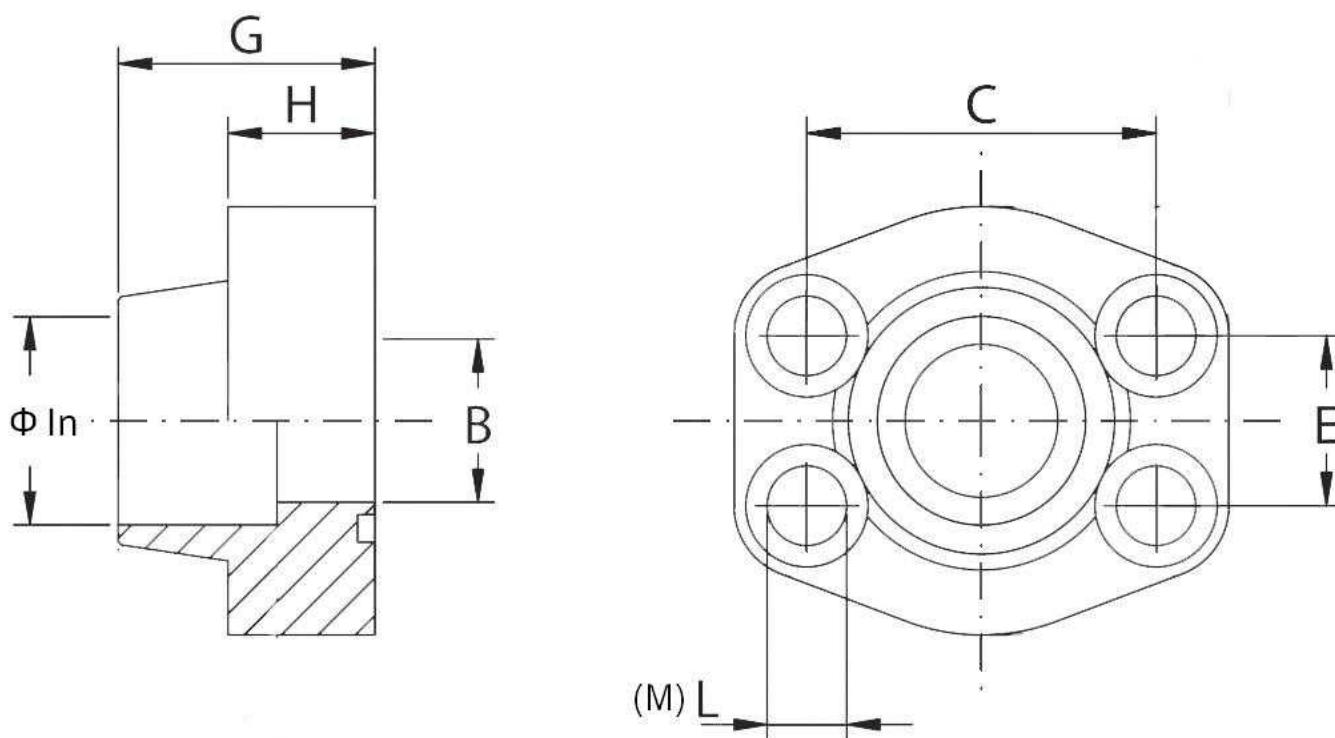
Bridas soldables tubo Métrico

## Brida soldable hembra tubo métrico



Acero Inoxidable AISI 316-L

1/1



Artículo	Serie	Ø in	Tamaño	O'Ring	B	C	E	G	H	L	M
<b>ZBBSM308203</b>	3000 PSI	20.3	1/2"	4075	13	38,1	17,48	36	16	9	M8x30
<b>ZBBSM312253</b>	3000 PSI	25.3	3/4"	4100	19	47,63	22,23	36	18	11	M10x35
<b>ZBBSM316303</b>	3000 PSI	30.3	1"	4131	25	52,37	26,19	38	18	11	M10x35
<b>ZBBSM320383</b>	3000 PSI	38.3	1"1/4	4150	32	58,72	30,18	41	21	11,5	M10x40
<b>ZBBSM324505</b>	3000 PSI	50.5	1"1/2	4187	38	69,85	35,71	45	25	13,5	M12x45
<b>ZBBSM608203</b>	6000 PSI	20.3	1/2"	4075	13	40,49	18,24	36	16	9	M8x30
<b>ZBBSM612253</b>	6000 PSI	25.3	3/4"	4100	19	50,8	23,8	35	21	11	M10x40
<b>ZBBSM616303</b>	6000 PSI	30.3	1"	4131	25	57,15	27,76	42	25	13	M12x45
<b>ZBBSM620383</b>	6000 PSI	38.3	1"1/4	4150	32	66,68	31,75	45	27	15 *	M14x45
<b>ZBBSM624505</b>	6000 PSI	50.5	1"1/2	4187	38	79,38	36,5	50	30	17	M16x50

Bridas SAE

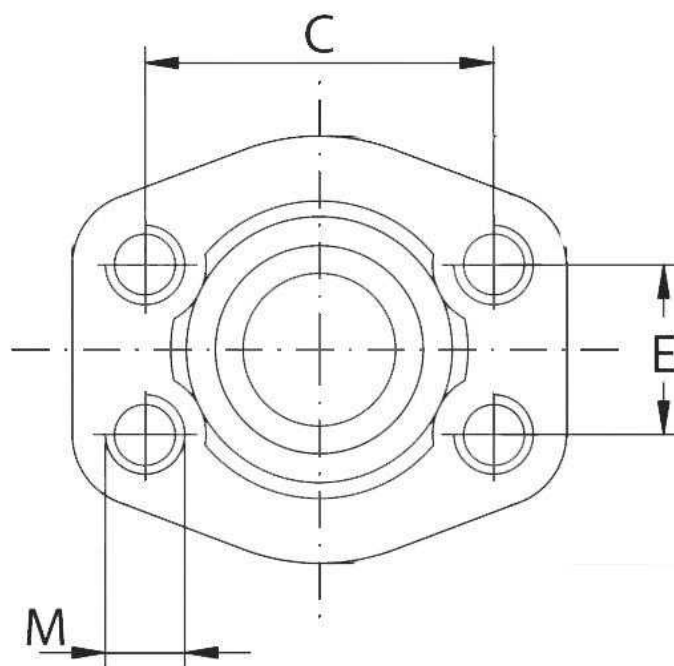
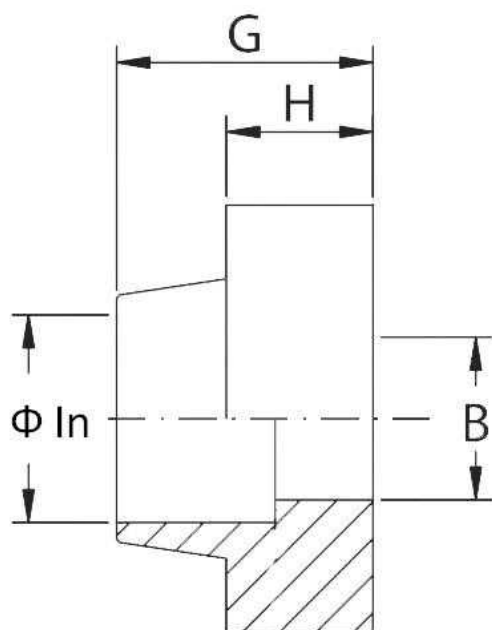
Bridas soldables tubo Métrico

## Contrabrida soldable hembra tubo métrico



Acero Inoxidable AISI 316-L

1/1



Artículo	Serie	Ø in	Tamaño	B	C	E	G	H	M
<b>ZBCSM308203</b>	3000 PSI	20.3	1/2"	13	38,1	17,48	36	16	M8
<b>ZBCSM312253</b>	3000 PSI	25.3	3/4"	19	47,63	22,23	36	18	M10
<b>ZBCSM316303</b>	3000 PSI	30.3	1"	25	52,37	26,19	38	18	M10
<b>ZBCSM320383</b>	3000 PSI	38.3	1"1/4	32	58,72	30,18	41	21	M10
<b>ZBCSM324505</b>	3000 PSI	50.5	1"1/2	38	69,85	35,71	45	25	M12
<b>ZBCSM608203</b>	6000 PSI	20.3	1/2"	13	40,49	18,24	36	16	M8
<b>ZBCSM612253</b>	6000 PSI	25.3	3/4"	19	50,8	23,8	35	21	M10
<b>ZBCSM616303</b>	6000 PSI	30.3	1"	25	57,15	27,76	42	25	M12
<b>ZBCSM620383</b>	6000 PSI	38.3	1"1/4	32	66,68	31,75	45	27	M14
<b>ZBCSM624505</b>	6000 PSI	50.5	1"1/2	38	79,38	36,5	50	30	M16



Bridas SAE

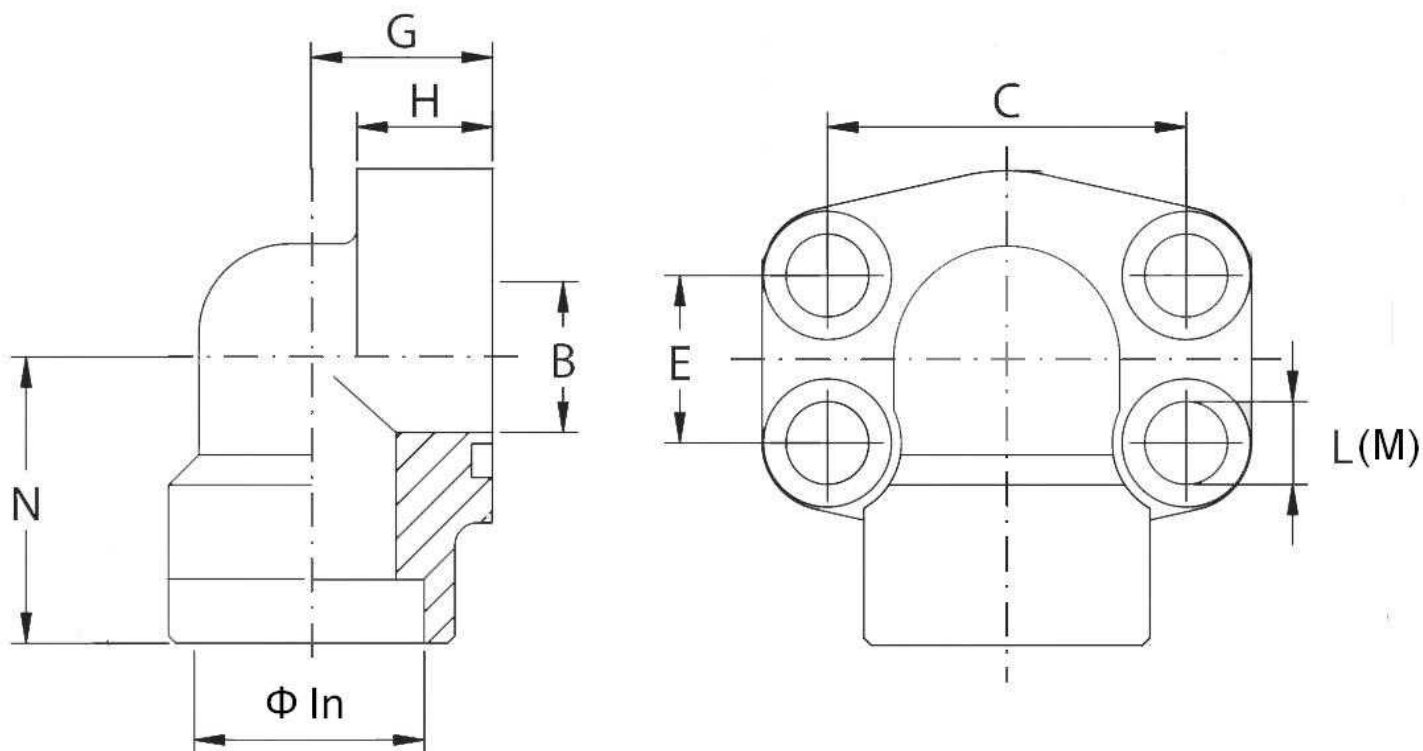
Bridas soldables tubo Métrico

### Brida codo 90º soldable Hembra tubo métrico



Acero Inoxidable AISI 316-L

1/1



Bridas SAE

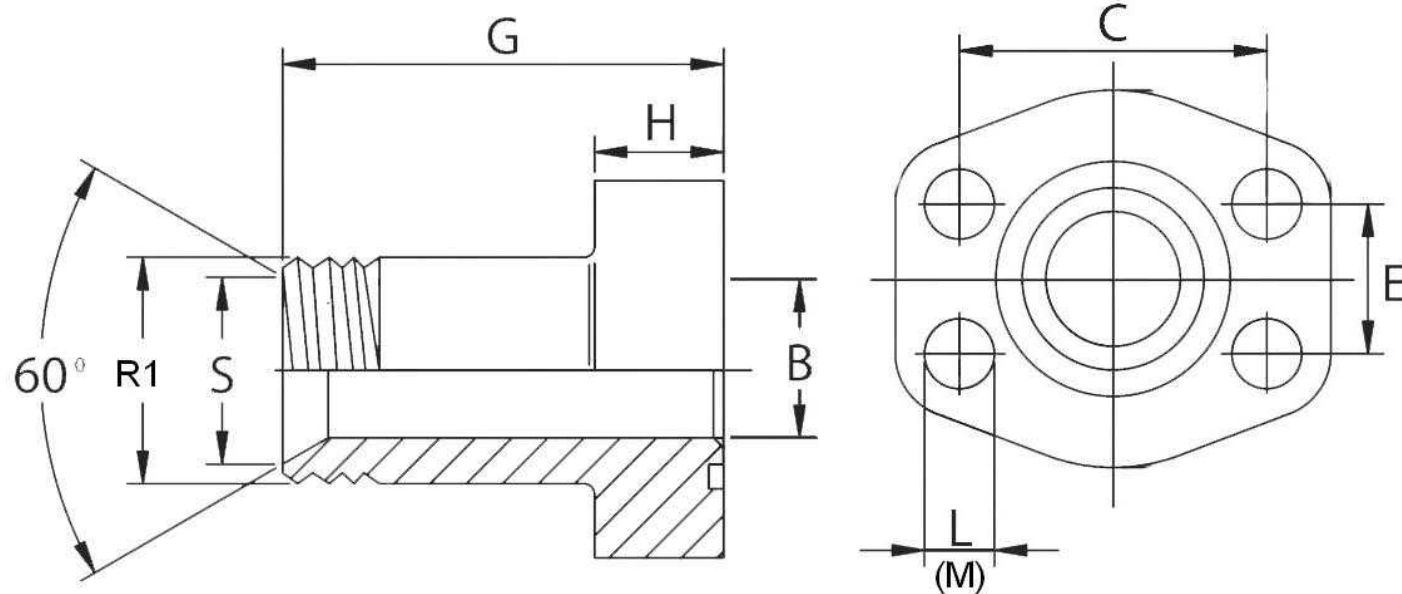
Bridas roscadas Macho

### Brida roscada macho BSP



Acero Inoxidable AISI 316-L

1/1



Bridas SAE

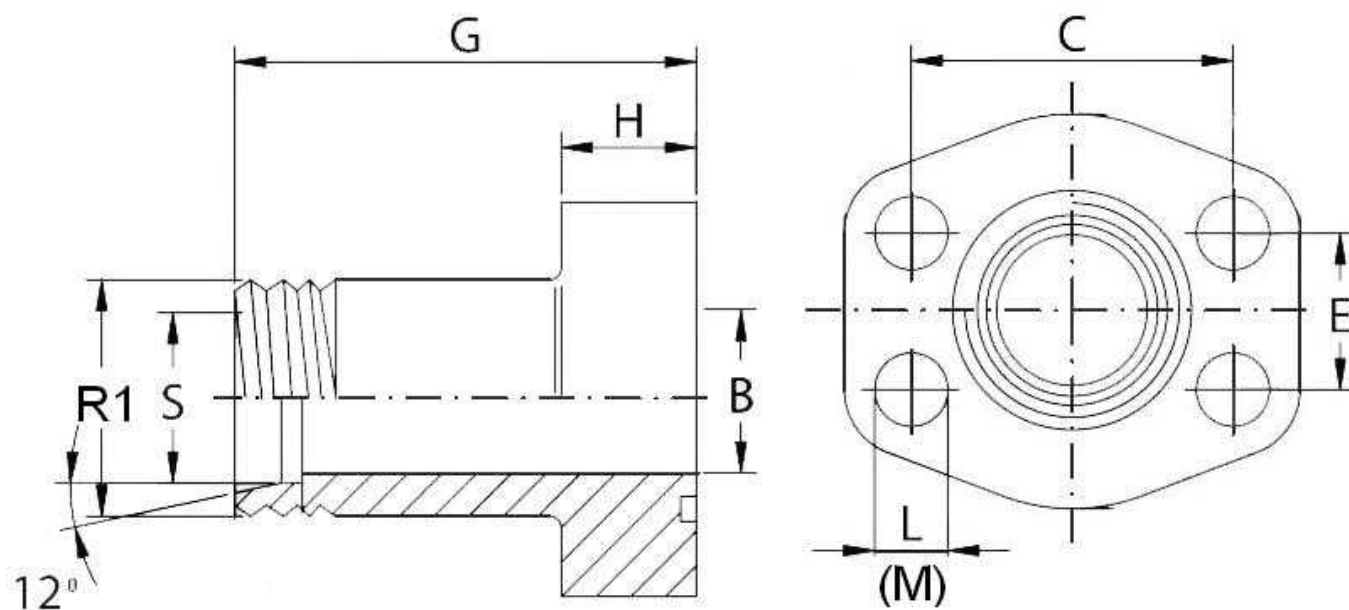
Bridas roscadas Macho

## Brida roscada macho Métrico



Acero Inoxidable AISI 316-L

1/1

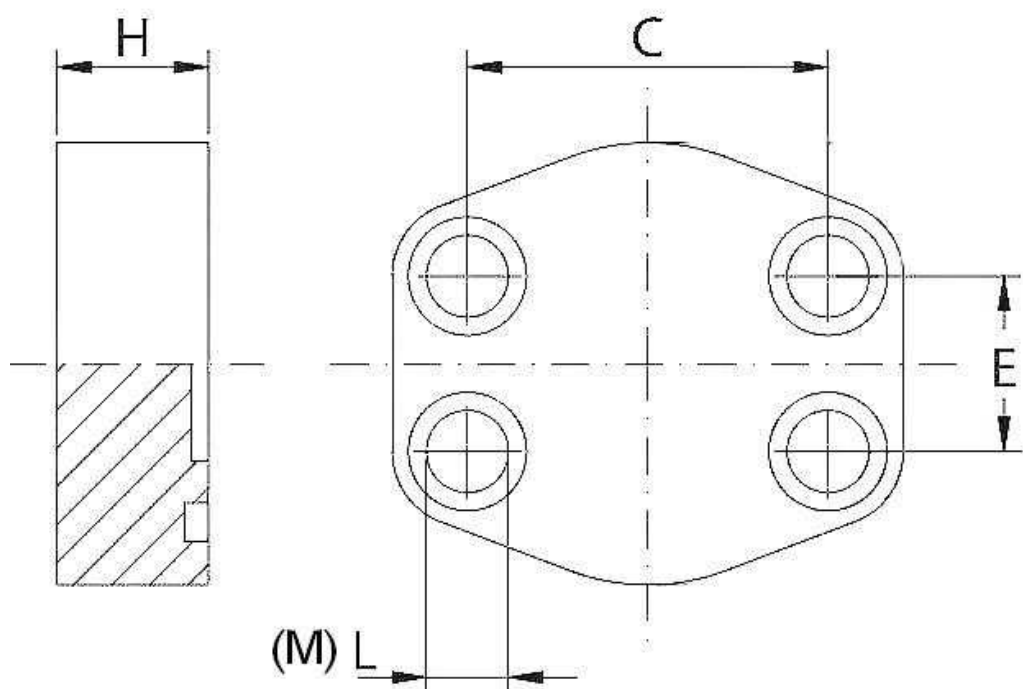


Bridas SAE

Bridas ciegas

**Bridas ciegas**

Acero Inoxidable AISI 316-L

**1/1**

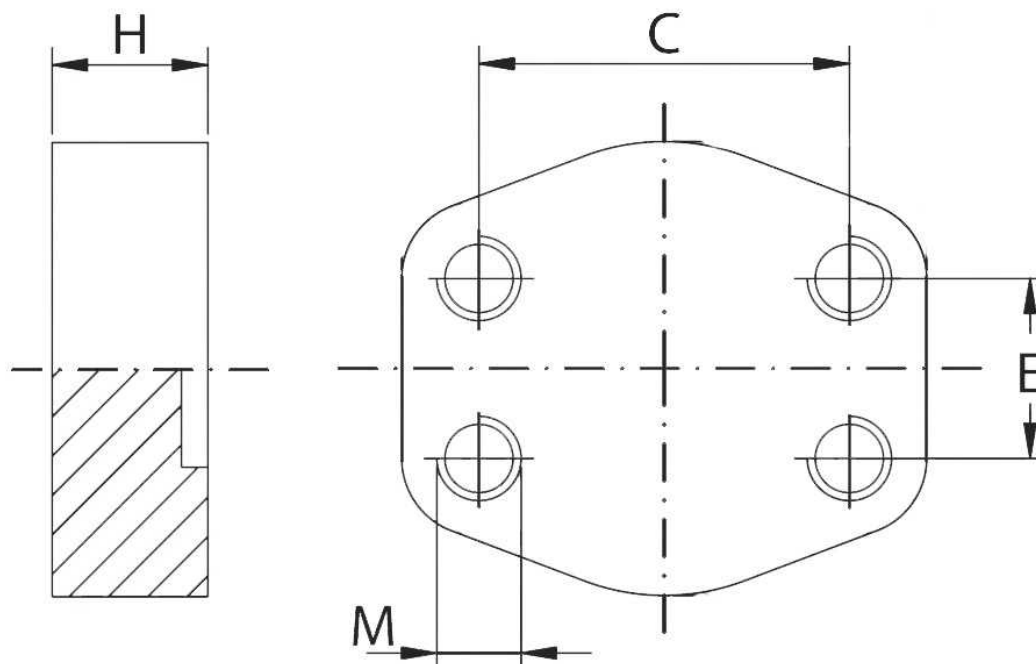
Artículo	Serie	Tamaño	O'Ring	C	E	H	L	M
<b>ZBBC308</b>	3000 PSI	1/2"	4075	38,1	17,48	16	9	M8x30
<b>ZBBC312</b>	3000 PSI	3/4"	4100	47,63	22,23	18	11	M10x35
<b>ZBBC316</b>	3000 PSI	1"	4131	52,37	26,19	19	11	M10x35
<b>ZBBC320</b>	3000 PSI	1"1/4	4150	58,72	30,18	18	11,5	M10x40
<b>ZBBC324</b>	3000 PSI	1"1/2	4187	69,85	35,71	20	13,5	M12x45
<b>ZBBC332</b>	3000 PSI	2"	4225	77,77	42,88	20	13,5	M12x45
<b>ZBBC340</b>	3000 PSI	2"1/2	4275	88,9	50,8	20	13,5	M12x45
<b>ZBBC348</b>	3000 PSI	3"	4337	106,38	61,93	24	17,5	M16x50
<b>ZBBC356</b>	3000 PSI	3"1/2	4387	120,65	69,85	22	17,5	M16x50
<b>ZBBC364</b>	3000 PSI	4"	4437	130,18	77,77	25	17,5	M16x50
<b>ZBBC608</b>	6000 PSI	1/2"	4075	40,49	18,24	16	9	M8x30
<b>ZBBC612</b>	6000 PSI	3/4"	4100	50,8	23,8	19	11	M10x35
<b>ZBBC616</b>	6000 PSI	1"	4131	57,15	27,76	24	13	M12x45
<b>ZBBC620</b>	6000 PSI	1"1/4	4150	66,68	31,75	27	15 *	M14x45
<b>ZBBC624</b>	6000 PSI	1"1/2	4187	79,38	36,5	30	17	M16x50
<b>ZBBC632</b>	6000 PSI	2"	4225	96,82	44,45	30	21	M20x60

Bridas SAE

Bridas ciegas

**Contrabridas ciegas****FLUIDAL**

Acero Inoxidable AISI 316-L

**1/1**

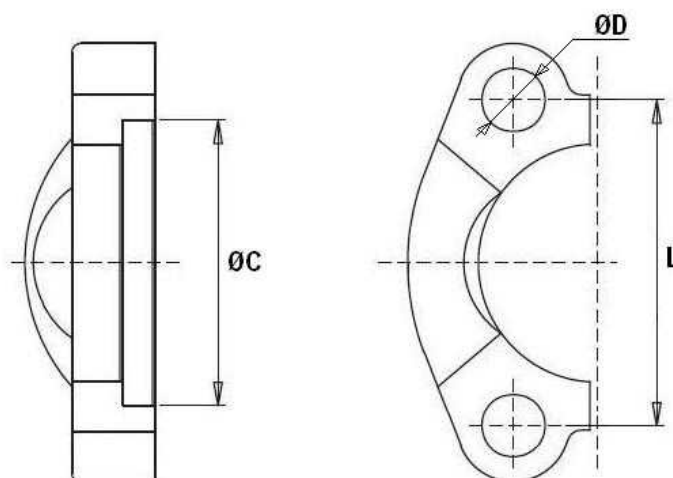
Artículo	Serie	Tamaño	C	E	H	M
<b>ZBCC308</b>	3000 PSI	1/2"	38,1	17,48	16	M8x30
<b>ZBCC312</b>	3000 PSI	3/4"	47,63	22,23	18	M10x35
<b>ZBCC316</b>	3000 PSI	1"	52,37	26,19	19	M10x35
<b>ZBCC320</b>	3000 PSI	1"1/4	58,72	30,18	18	M10x40
<b>ZBCC324</b>	3000 PSI	1"1/2	69,85	35,71	20	M12x45
<b>ZBCC332</b>	3000 PSI	2"	77,77	42,88	20	M12x45
<b>ZBCC348</b>	3000 PSI	3"	106,38	61,93	24	M16x50
<b>ZBCC356</b>	3000 PSI	3"1/2	120,65	69,85	22	M16x50
<b>ZBCC364</b>	3000 PSI	4"	130,18	77,77	25	M16x50
<b>ZBCC608</b>	6000 PSI	1/2"	40,49	18,24	16	M8x30
<b>ZBCC612</b>	6000 PSI	3/4"	50,8	23,8	19	M10x35
<b>ZBCC616</b>	6000 PSI	1"	57,15	27,76	24	M12x45
<b>ZBCC620</b>	6000 PSI	1"1/4	66,68	31,75	27	M14x45
<b>ZBCC624</b>	6000 PSI	1"1/2	79,38	36,5	30	M16x50
<b>ZBCC632</b>	6000 PSI	2"	96,82	44,45	30	M20x60

Conexiones Standard

Bridas para flexibles

**Brida partida pasante**

Acero Inoxidable AISI 316-L

**FLUIDAL****1/1**

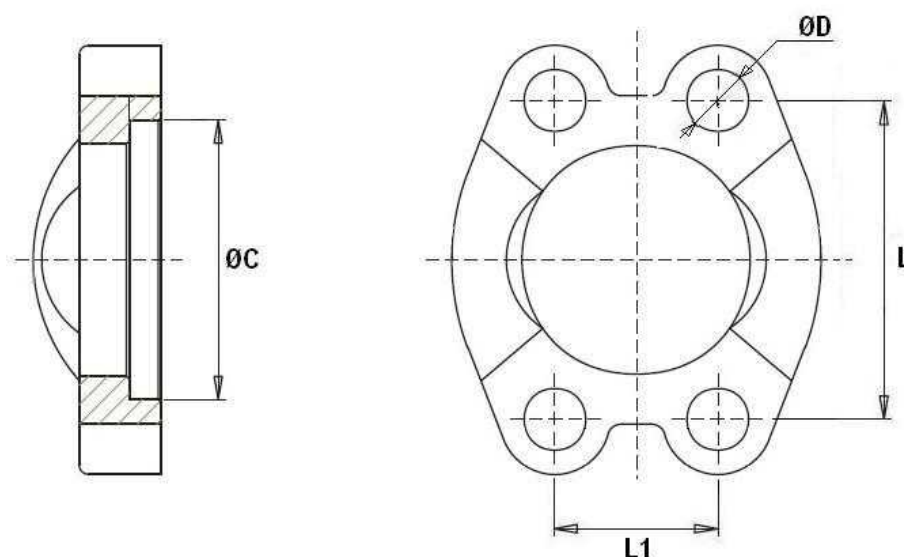
Artículo	Serie	Ø in	Tamaño	L	ØC	ØD
<b>ZBBP308302</b>	3000 PSI	30.2	1/2"	38,1	30,96	8,75
<b>ZBBP312381</b>	3000 PSI	38.1	3/4"	47,63	38,89	10,75
<b>ZBBP316445</b>	3000 PSI	44.5	1"	52,37	45,24	10,75
<b>ZBBP320508</b>	3000 PSI	50.8	1"1/4	58,72	51,59	11
<b>ZBBP324603</b>	3000 PSI	60.3	1"1/2	69,85	61,09	13,5
<b>ZBBP332714</b>	3000 PSI	71.4	2"	77,77	72,24	13,5
<b>ZBBP3481024</b>	3000 PSI	102.4	3"	106,38	102,39	16,75
<b>ZBBP608318</b>	6000 PSI	31.8	1/2"	40,49	32,54	8,75
<b>ZBBP612413</b>	6000 PSI	41.3	3/4"	50,8	42,06	11
<b>ZBBP616476</b>	6000 PSI	47.6	1"	57,15	48,41	13
<b>ZBBP620540</b>	6000 PSI	54	1"1/4	66,68	54,76	15
<b>ZBBP624635</b>	6000 PSI	63.5	1"1/2	79,38	64,29	17
<b>ZBBP632794</b>	6000 PSI	79.4	2"	96,82	80,16	21

Conexiones Standard

Bridas para flexibles

**Brida entera pasante****FLUIDAL**

Acero Inoxidable AISI 316-L

**1/1**

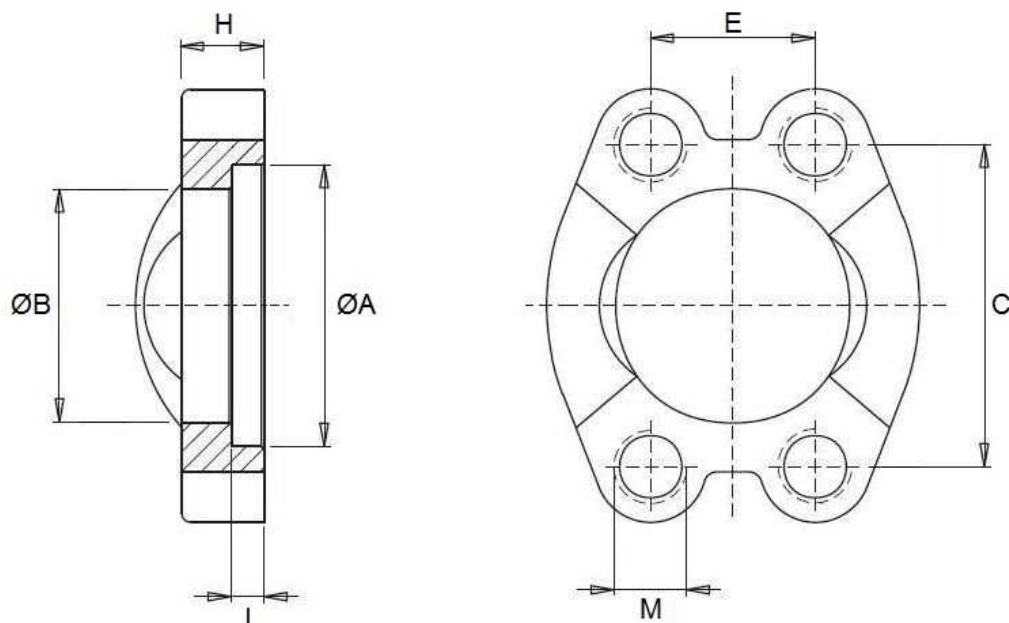
Artículo	Serie	Ø in	Tamaño	L	L1	ØC	ØD
<b>ZBBE308302</b>	3000 PSI	30.2	1/2"	38,1	17,48	30,96	8,75
<b>ZBBE312381</b>	3000 PSI	38.1	3/4"	47,63	22,23	38,89	10,75
<b>ZBBE316445</b>	3000 PSI	44.5	1"	52,37	26,19	45,24	10,75
<b>ZBBE320508</b>	3000 PSI	50.8	1"1/4	58,72	30,18	51,59	11
<b>ZBBE324603</b>	3000 PSI	60.3	1"1/2	69,85	35,71	61,09	13,5
<b>ZBBE332714</b>	3000 PSI	71.4	2"	77,77	42,88	72,24	13,5
<b>ZBBE608318</b>	6000 PSI	31.8	1/2"	40,49	18,24	32,54	8,75
<b>ZBBE612413</b>	6000 PSI	41.3	3/4"	50,8	23,8	42,06	11
<b>ZBBE616476</b>	6000 PSI	47.6	1"	57,15	27,76	48,41	13
<b>ZBBE620540</b>	6000 PSI	54	1"1/4	66,68	31,75	54,76	15
<b>ZBBE624635</b>	6000 PSI	63.5	1"1/2	79,38	36,5	64,29	17
<b>ZBBE632794</b>	6000 PSI	79.4	2"	96,82	44,45	80,16	21

Conexiones Standard

Bridas para flexibles

**Contrabrida roscada****FLUIDAL**

Acero Inoxidable AISI 316-L

**1/1**

Artículo	Serie	Ø	Tamaño	ØA	ØB	D	E	H	I	M
<b>ZBCE308302</b>	3000 PSI	30,2	1/2"	30,96	24,26	54	17,48	13	6,22	M8
<b>ZBCE312381</b>	3000 PSI	38,1	3/4"	38,89	32,13	65	22,23	14	6,22	M10
<b>ZBCE316445</b>	3000 PSI	44,5	1"	45,24	38,48	70	26,19	16	7,49	M10
<b>ZBCE320508</b>	3000 PSI	50,8	1"1/4	51,59	43,69	79	30,18	14	7,49	M10
<b>ZBCE324603</b>	3000 PSI	60,3	1"1/2	61,09	50,8	94	35,71	16	7,49	M12
<b>ZBCE332714</b>	3000 PSI	71,4	2"	72,24	62,74	102	42,88	16	9,02	M12
<b>ZBCE608318</b>	6000 PSI	31,8	1/2"	32,54	24,64	40,49	18,24	16	7,24	M8
<b>ZBCE612413</b>	6000 PSI	41,3	3/4"	42,06	32,51	50,8	23,8	19	8,26	M10
<b>ZBCE616476</b>	6000 PSI	47,6	1"	48,41	38,86	57,15	27,76	24	9,02	M12
<b>ZBCE620540</b>	6000 PSI	54	1"1/4	54,76	44,45	66,68	31,75	27	9,78	M14
<b>ZBCE624635</b>	6000 PSI	63,5	1"1/2	64,29	51,56	79,38	36,5	30	12,07	M16
<b>ZBCE632794</b>	6000 PSI	79,4	2"	80,16	67,56	96,82	44,45	37	12,07	M20

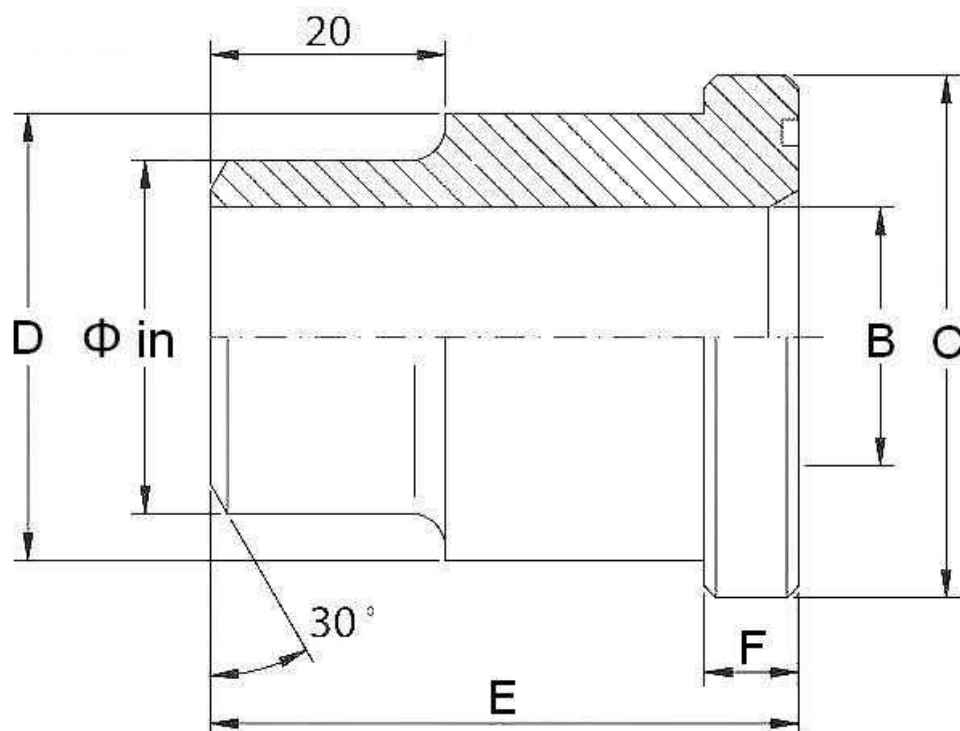


Bridas SAE

Conos soldar

**Brida cono soldable tubo métrico****FLUIDAL**

Acero Inoxidable AISI 316-L

**1/1**

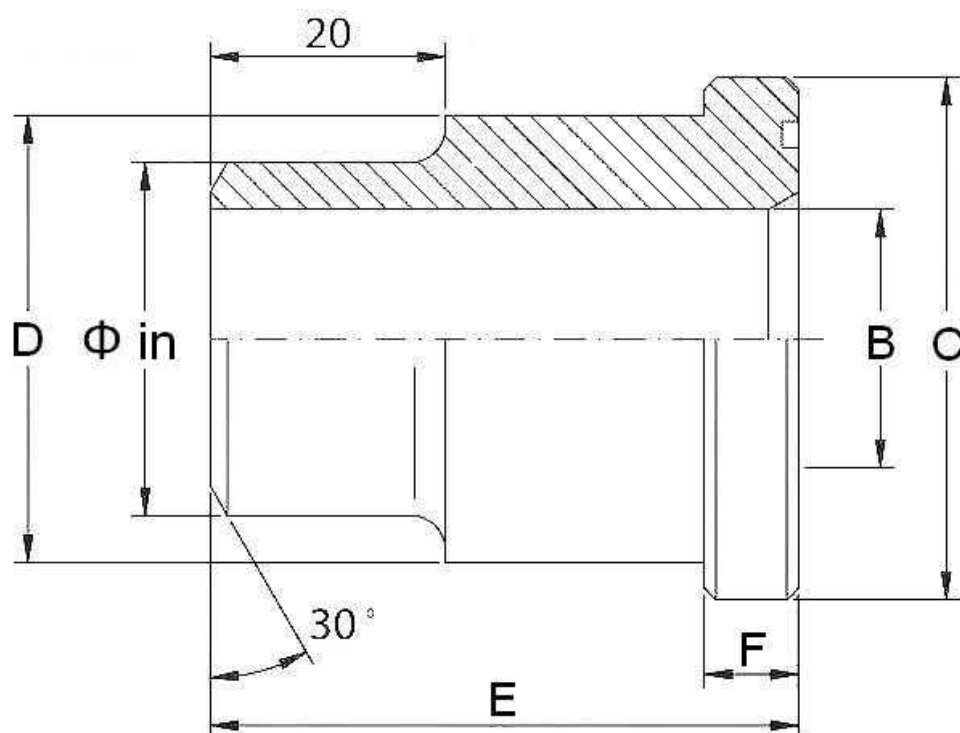
Artículo	Serie	Ø in	Tamaño	O'Ring	B	C	D	E	F
<b>ZBSM3108016</b>	3000 PSI	16	1/2"	4075	12	30,2	24	41	6,73
<b>ZBSM3112025</b>	3000 PSI	25	3/4"	4100	19	38,1	32	50	6,73
<b>ZBSM3116030</b>	3000 PSI	30	1"	4131	22	44,4	38	50	8
<b>ZBSM3120038</b>	3000 PSI	38	1"1/4	4150	28	50,8	43	55	8
<b>ZBSM3124045</b>	3000 PSI	45	1"1/2	4187	35	60,3	50	57	8
<b>ZBSM3132060</b>	3000 PSI	60	2"	4225	50	71,4	62	57	9,53
<b>ZBSM3140070</b>	3000 PSI	70	2"1/2	4275	55	84,1	74	58	9,53
<b>ZBSM3148080</b>	3000 PSI	80	3"	4337	68	101,6	90	60	9,53
<b>ZBSM3156100</b>	3000 PSI	100	3"1/2	4387	89	114,3	102	80	11,2
<b>ZBSM3164114</b>	3000 PSI	114.3	4"	4437	99	127	114,3	80	11,2
<b>ZBSM6108016</b>	6000 PSI	16	1/2"	4075	12	31,8	24	34	7,75
<b>ZBSM6112025</b>	6000 PSI	25	3/4"	4100	18	41,3	32	38	8,76
<b>ZBSM6116030</b>	6000 PSI	30	1"	4131	22	47,6	38	40	9,53
<b>ZBSM6120038</b>	6000 PSI	38	1"1/4	4150	27	54	44	45	10,29
<b>ZBSM6124045</b>	6000 PSI	45	1"1/2	4187	32	63,5	51	50	12,57
<b>ZBSM6132060</b>	6000 PSI	60	2"	4225	45	79,4	67	58	12,57

Bridas SAE

Conos soldar

**Brida cono soldable tubo gas****FLUIDAL**

Acero Inoxidable AISI 316-L

**1/1**

Artículo	Serie	Ø in	Tamaño	B	C	D	E	F
<b>ZBSG3108215</b>	3000 PSI	21.5	1/2"	13	30,2	24	41	6,73
<b>ZBSG3112280</b>	3000 PSI	28.0	3/4"	19	38,1	32	50	6,73
<b>ZBSG3116340</b>	3000 PSI	34.0	1"	25	44,4	38	50	8
<b>ZBSG3120428</b>	3000 PSI	42.8	1"1/4	32	50,8	43	55	8
<b>ZBSG3124486</b>	3000 PSI	48.6	1"1/2	38	60,3	50	57	8
<b>ZBSG3132610</b>	3000 PSI	61.0	2"	51	71,4	62	57	9,53
<b>ZBSG6108215</b>	6000 PSI	21.5	1/2"	13	31,8	24	34	7,75
<b>ZBSG6112280</b>	6000 PSI	28.0	3/4"	19	41,3	32	38	8,76
<b>ZBSG6116340</b>	6000 PSI	34.0	1"	25	47,6	38	40	9,53
<b>ZBSG6120428</b>	6000 PSI	42.8	1"1/4	32	54	44	45	10,29
<b>ZBSG6124486</b>	6000 PSI	48.6	1"1/2	38	63,5	51	50	12,57
<b>ZBSG6132610</b>	6000 PSI	61.0	2"	51	79,4	67	58	12,57

Bridas SAE

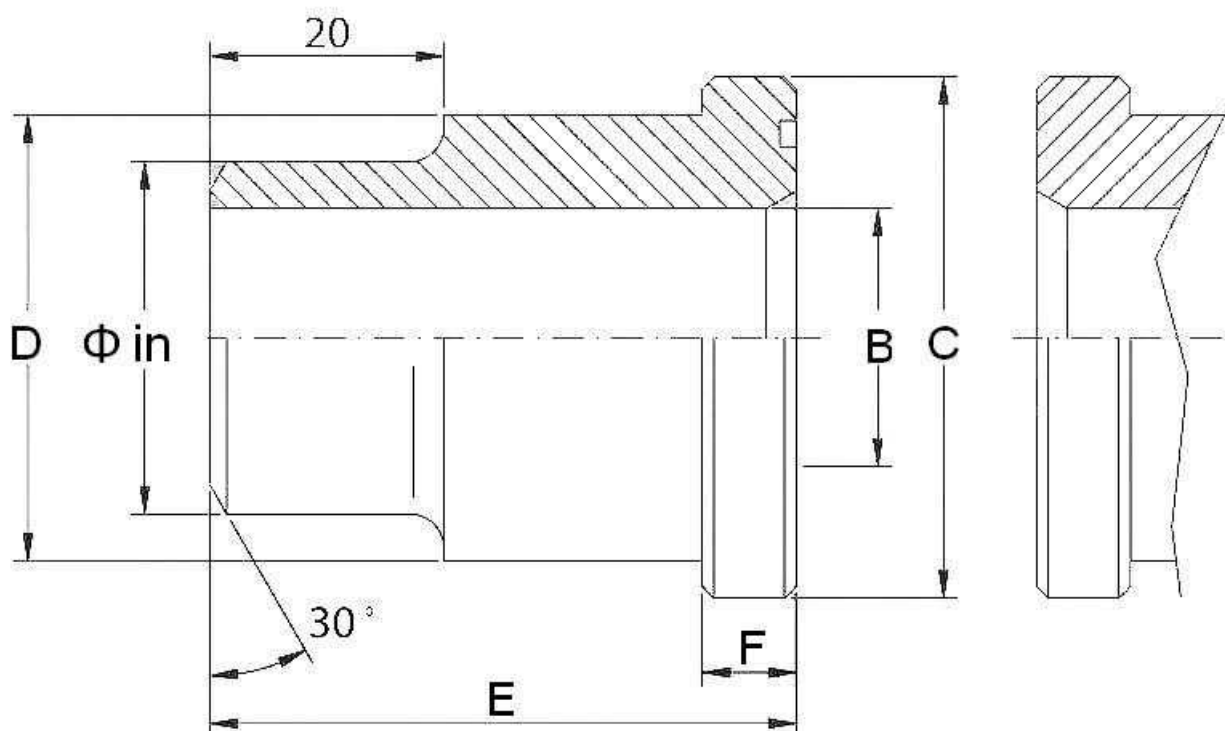
Conos soldar

## Contrabrida cono soldable tubo métrico



Acero Inoxidable AISI 316-L

1/1



Artículo	Serie	Ø in	Tamaño	B	C	D	E	F
<b>ZBSM3008016</b>	3000 PSI	16	1/2"	12	30,2	24	41	6,73
<b>ZBSM3012025</b>	3000 PSI	25	3/4"	19	38,1	32	50	6,73
<b>ZBSM3016030</b>	3000 PSI	30	1"	22	44,4	38	50	8
<b>ZBSM3020038</b>	3000 PSI	38	1"1/4	28	50,8	43	55	8
<b>ZBSM3024045</b>	3000 PSI	45	1"1/2	35	60,3	50	57	8
<b>ZBSM3032060</b>	3000 PSI	60	2"	50	71,4	62	57	9,53
<b>ZBSM3040070</b>	3000 PSI	70	2"1/2	55	84,1	74	58	9,53
<b>ZBSM3048080</b>	3000 PSI	80	3"	68	101,6	90	60	9,53
<b>ZBSM3056100</b>	3000 PSI	100	3"1/2	89	114,3	102	80	11,2
<b>ZBSM3064114</b>	3000 PSI	114.3	4"	99	127	114,3	80	11,2
<b>ZBSM6008016</b>	6000 PSI	16	1/2"	12	31,8	24	34	7,75
<b>ZBSM6012025</b>	6000 PSI	25	3/4"	18	41,3	32	38	8,76
<b>ZBSM6016030</b>	6000 PSI	30	1"	22	47,6	38	40	9,53
<b>ZBSM6020038</b>	6000 PSI	38	1"1/4	27	54	44	45	10,29
<b>ZBSM6024045</b>	6000 PSI	45	1"1/2	32	63,5	51	50	12,57
<b>ZBSM6032060</b>	6000 PSI	60	2"	45	79,4	67	58	12,57

Conexiones Standard

Juntas y tornillos para bridas

**Juntas para bridas SAE 3000/6000 PSI**

1/1

**Temperatura:** Max.200°C**Material:** Poliuretano**Presión max. de trabajo:** 350 bar

Artículo	Ø ext	Ø in	Tamaño	Altura (mm)
<b>JBR08</b>	25.40	17.02	1/2"	2.79
<b>JBR12</b>	31.72	23.36	3/4"	2.79
<b>JBR16</b>	39.62	31.24	1"	2.79
<b>JBR20</b>	44.45	36.07	1"1/4	2.79
<b>JBR24</b>	53.98	45.34	1"1/2	2.79
<b>JBR32</b>	63.50	54.86	2"	2.79

PROPERTIES	METHOD	MEASURE UNIT	SPECIFICATIONS	FOUND DATA
Melt flow index	ISO 1133	g/10' 220°C 3,80 Kg	15 -40	20
Hardeness Shore A	DIN 53505		92,0 -96,0	95.9
Tensile strength	DIN 53504	Mpa	>=30	35
Modulus 100%	DIN 53504	Mpa	>=7	11
Modulus 300%	DIN 53504	Mpa	>=15	23
Elongation at brake	DIN 53504	%	>=425	502